

PRODUCT INFORMATION PACKET

Model No: 056T34D5307

Catalog No: G180

Fan and Blower Motor, 1 & 0.75 HP, 3 Ph, 60 & 50 Hz, 208-230/460 & 190/380 V, 3600 & 3000 RPM,
56 Frame, DP



Regal and Marathon are trademarks of Regal Rexnord Corporation or one of its affiliated companies.

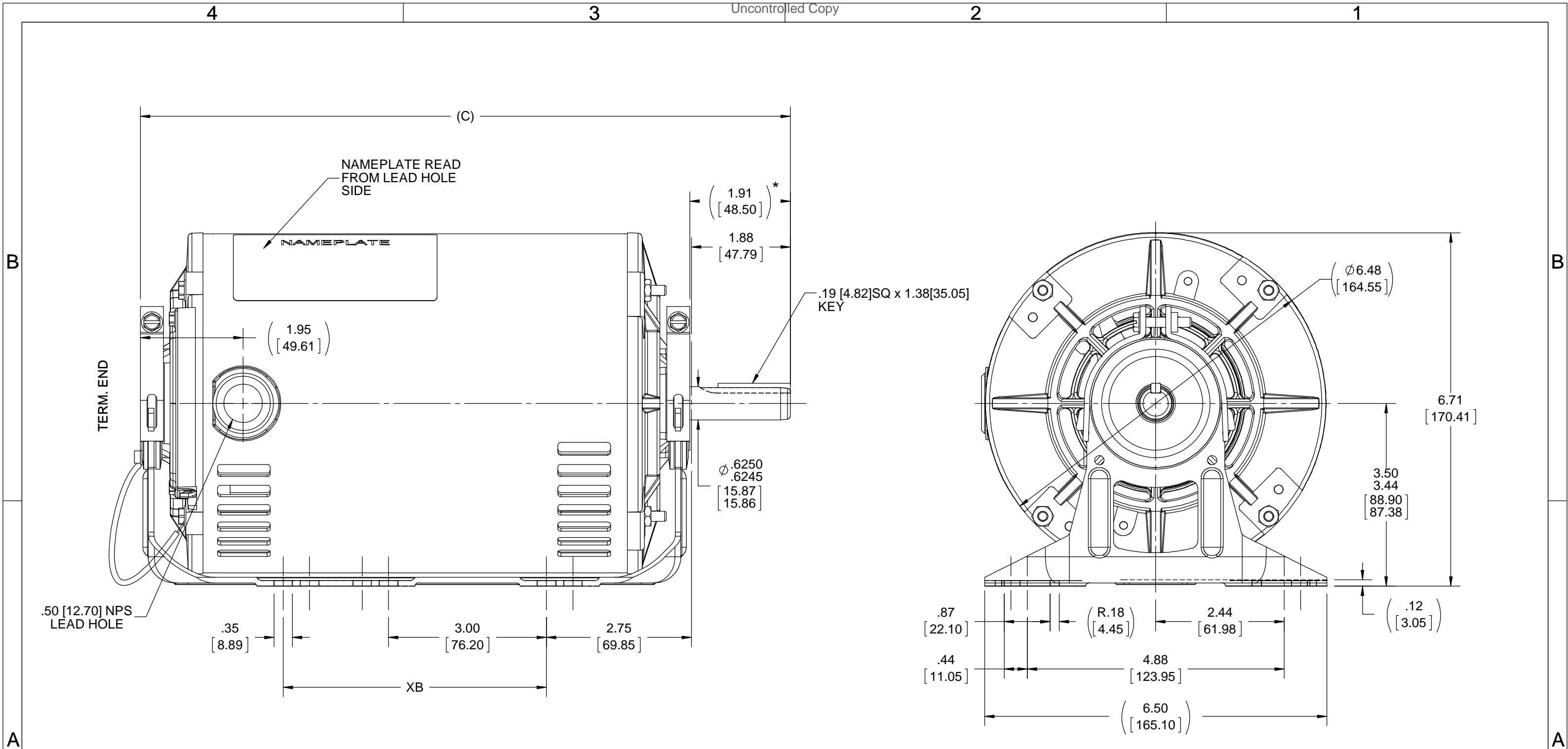
©2023 Regal Rexnord Corporation, All Rights Reserved. MC017097E

Nameplate Specifications

Phase	3	Output HP	1 & 0.75 Hp
Output KW	0.75 & 0.56 kW	Voltage	208-230/460 & 190/380 V
Speed	3450 & 2850 rpm	Service Factor	1.25 & 1.25
Frame	56	Enclosure	Drip Proof
Thermal Protection	Automatic	Efficiency	74 & 75.5 %
Ambient Temperature	40 °C	Frequency	60 & 50 Hz
Current	3.7-3.7/1.85 & 3.4/1.7 A	Power Factor	71.3
Duty	Continuous	Insulation Class	B
Design Code	B	KVA Code	M
Drive End Bearing Size	6203	Opp Drive End Bearing Size	6203
UL	Recognized	CSA	Y
CE	Y	IP Code	22
Number of Speeds	1		

Technical Specifications

Electrical Type	Squirrel Cage Induction Run	Starting Method	Across The Line
Poles	2	Rotation	Reversible
Resistance Main	4.4 Ohms	Mounting	Resilient Base
Motor Orientation	Horizontal	Drive End Bearing	Ball
Opp Drive End Bearing	Ball	Frame Material	Rolled Steel
Shaft Type	T	Overall Length	10.85 in
Frame Length	6.56 in	Shaft Diameter	0.625 in
Shaft Extension	1.91 in	Assembly/Box Mounting	F1 Only
Outline Drawing	A-100128-656	Connection Drawing	A-EE7335



DASH	C	XB
606	10.34 [262.63]	0
656	10.84 [275.33]	0
706	11.34 [288.03]	0
756	11.84 [300.73]	5.00 [127.00]
806	12.34 [313.43]	5.00 [127.00]
856	12.84 [326.13]	5.00 [127.00]
906	13.34 [338.83]	5.00 [127.00]
956	13.84 [351.53]	5.00 [127.00]

DRAWING REVISION M	REVISION BY KHADHAR	DATE UD
ECO ECO-0157345	APPROVED BY JD	DATE 11/27/2018
ECO DESCRIPTION ADDED GREEN GROUND LEAD WIRE ON DRAWING		
<small>COPYRIGHT REGAL BELOIT AMERICA, INC. ALL RIGHTS RESERVED. PROPRIETARY AND CONFIDENTIAL INFORMATION - THIS DOCUMENT IS THE PROPERTY OF REGAL BELOIT AMERICA, INC. ("OWNER") AND CONTAINS OWNER'S PROPRIETARY INFORMATION. ANY PERSON, CORPORATION OR OTHER FIRM RECEIVING IT IS DEEMED, BY RECEIVING IT, TO AGREE THAT IT, AND/OR ANY PART OF IT, SHALL NOT BE DISCLOSED TO ANY PERSON, CORPORATION OR OTHER ENTITY, DUPLICATED, AND/OR USED, EXCEPT AS EXPRESSLY APPROVED IN WRITING IN ADVANCE BY OWNER. THIS DOCUMENT SHALL BE RETURNED TO OWNER UPON REQUEST. IT MAY BE SUBJECT TO CERTAIN RESTRICTIONS UNDER APPLICABLE EXPORT CONTROL LAWS AND REGULATIONS.</small>		

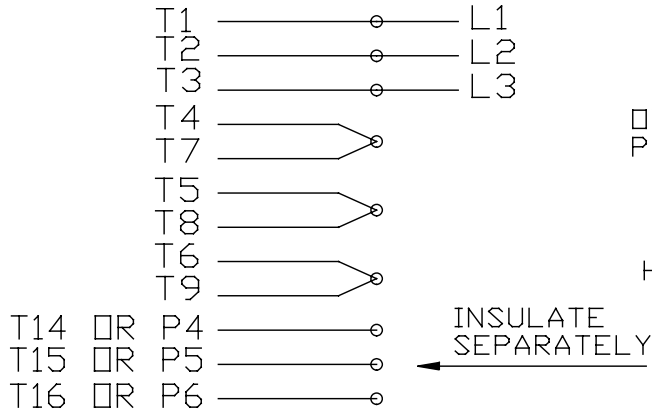
TOLERANCES UNLESS OTHERWISE SPECIFIED:			
DEC.	INCH	mm	ANGLE
.X	± 0.1	[± 2.5]	$\pm 7' 30''$
.XX	± 0.03	[± 0.76]	
.XXX	± 0.005	[± 0.127]	
.XXXX	± 0.0005	[± 0.0127]	
REMOVE BURRS & BREAK SHARP EDGES: $.003/.015$ [$.076/.381$] X 45°			
CORNER FILLETS: R.02 [.51]			
MACHINED SURFACES: 200 INCH/mm 5.1			
mm SHOWN IN [BRACKETS]			

NOTE:
* 1. DIMENSION IS FROM RESILIENT RING END CAP TO END OF SHAFT.

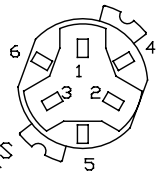
DRAWN BY PGK	Regal Beloit America, Inc.	
DATE 06-06-1997	DESCRIPTION OUTLINE	
APPROVED BY GK	56 FR. - DR.PR. - 3Ø - RESIL. MT.	
DATE 06-11-1997	MATERIAL	PROCESS/FINISH
REFERENCE 100128	SIZE B	DRAWING NUMBER 100128
THIRD ANGLE PROJECTION	SHEET 1 OF 1	

EE7335

HIGH VOLTAGE CONNECTIONS

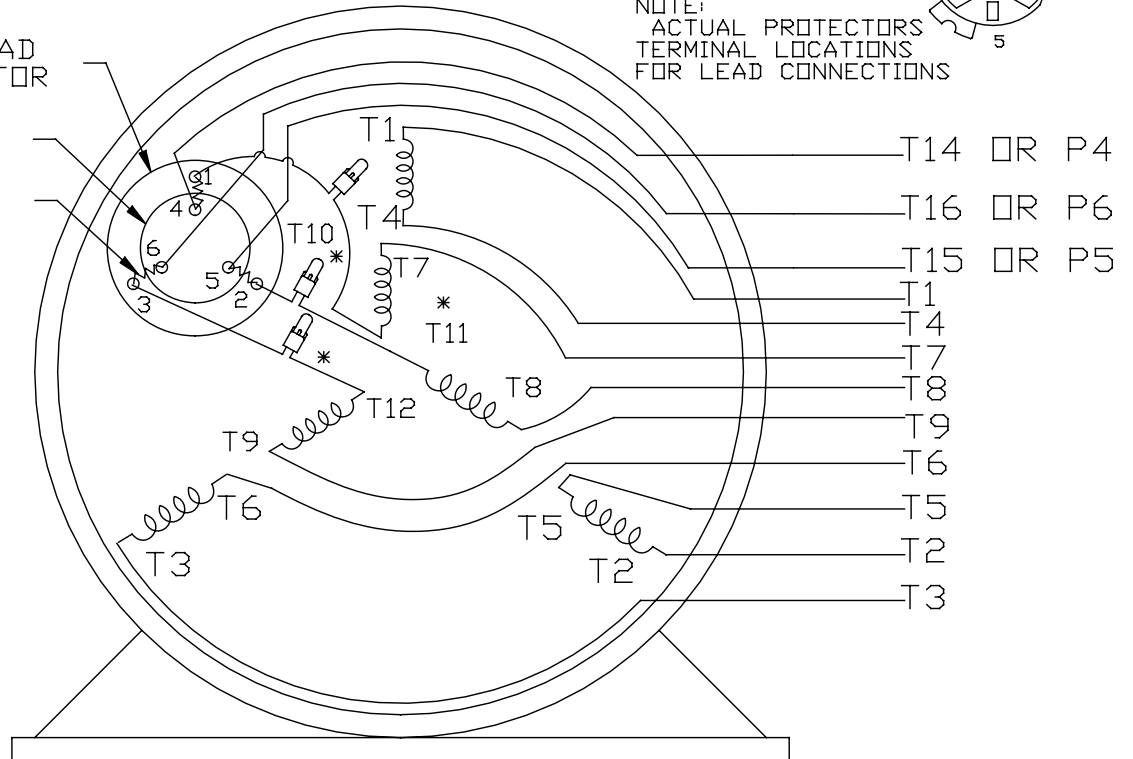


THREE PHASE - DUAL VOLTAGE MOTOR WITH OVERLOAD PROTECTOR

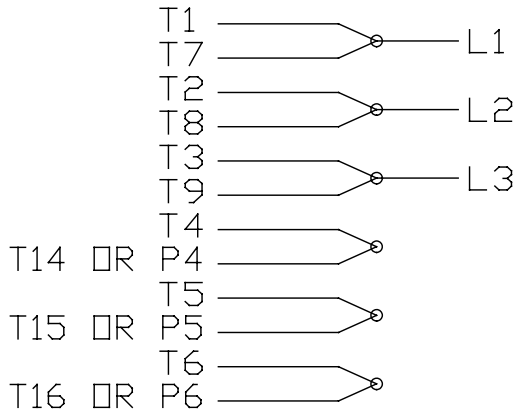


NOTE:
ACTUAL PROTECTORS
TERMINAL LOCATIONS
FOR LEAD CONNECTIONS

OVERLOAD
PROTECTOR
DISC
HEATER



LOW VOLTAGE CONNECTIONS



VIEW OF TERMINAL END

T2K
T4D
T6AN

* USE PRESSURE CONNECTORS FOR MT2 PLANT ONLY

NO.	REVISION	BY & DATE	CHK	TOLERANCES UNLESS SPECIFIED		FINISH	DRAWN	SCALE	REV.
				DEC.	INCHES				
17	CHANGED LOGO FROM MARATHON TO REGAL	KIR 02/16/16	AB	DEC.	INCHES	REGAL™ Regal Beloit America, Inc.	KL 08-09-1993	1=1	17
16	PRESSURE CONNECTORS QUANTITY WAS 6	PVR 10/29/13	GR	.X	±.1		CHK ML 08/10/1993		
15	PRESSURE CONNECTORS ADDED	GR 03/04/13	SR	.XX	±.01	TITLE CONNECTION DIAGRAM	APPD GK 08/10/1993		
14	ADDED ACTUAL PROECTOR VIEW CN 17481	KL 05/18/94		.XXX	±.005	3Ø-DUAL VOLT WITH OVERLOAD PROTECTO	REF		
13	REDRAWN IN AUTO CAD	KL 08/11/93		.XXXX	±.0005	MAT'L.	FMF		
				ANG	±1/2*		PREV		
THIS DRAWING IN DESIGN AND DETAIL IS OUR PROPERTY AND MUST NOT BE USED EXCEPT IN CONNECTION WITH OUR WORK ALL RIGHTS OF DESIGN AND INVENTION ARE RESERVED THIS IS AN ELECTRONICALLY GENERATED DOCUMENT - DO NOT SCALE THIS PRINT				RFP	CAD FILE	EE7335	SIZE	DRAWING NO.	REV.
				DIST			A	EE7335	17

EC Declaration of Conformity

The undersigned representing
the manufacturer:

Regal Beloit America
100 East Randolph St.
Wausau, WI 54401

and the authorized representative
established within the Community:

Marathon Electric UK
6F Thistleton Road Ind. Estate
Market Overton
Oakham, Rutland LE15 7PP UK

are committed to providing customers with products that comply with applicable regulations and international protocols to which they are subject, including the requirements of the European Parliament Directive on the Harmonization of the laws relating to electrical equipment designed for use within certain voltage limits (2014/35/EU).

Regal Beloit America declares that the following product(s), to which this declaration relates, are in conformity with the relevant sections of the EC standards listed below.

This statement supersedes any statements previously issued pertaining to the product(s) listed below and is subject to change without notice.

Model No : 056T34D5307

(Model No. may contain prefix and/or suffix characters)

Catalog No : G180

Rework No : N/A

Directives :

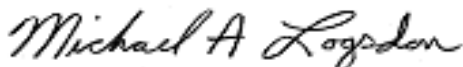
Low Voltage Directive 2014/35/EU

Harmonized Standards Used :

EN 60034-1: 2010 (IEC 60034-1: 2010)

EN 60034-5: 2001/A1:2007 (IEC 60034-5: 2000/A1:2006)

Authorized Representative:



Michael A. Logsdon
Vice President, Technology

Authorized Representative in the Community:



Julian Clark
Marketing Engineer

Created on 09/06/2022

CE 22